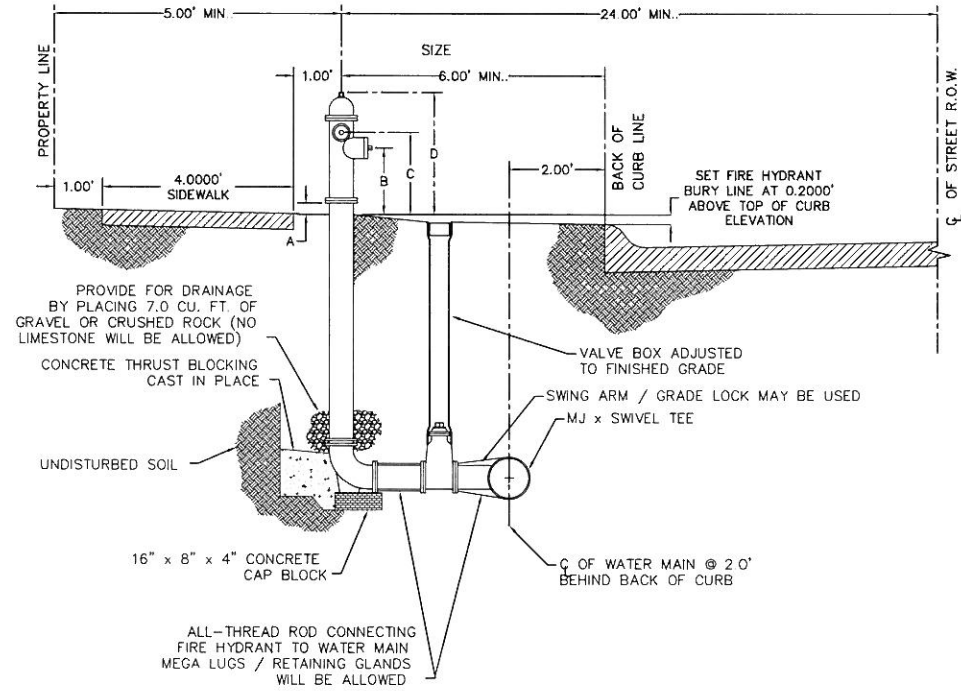


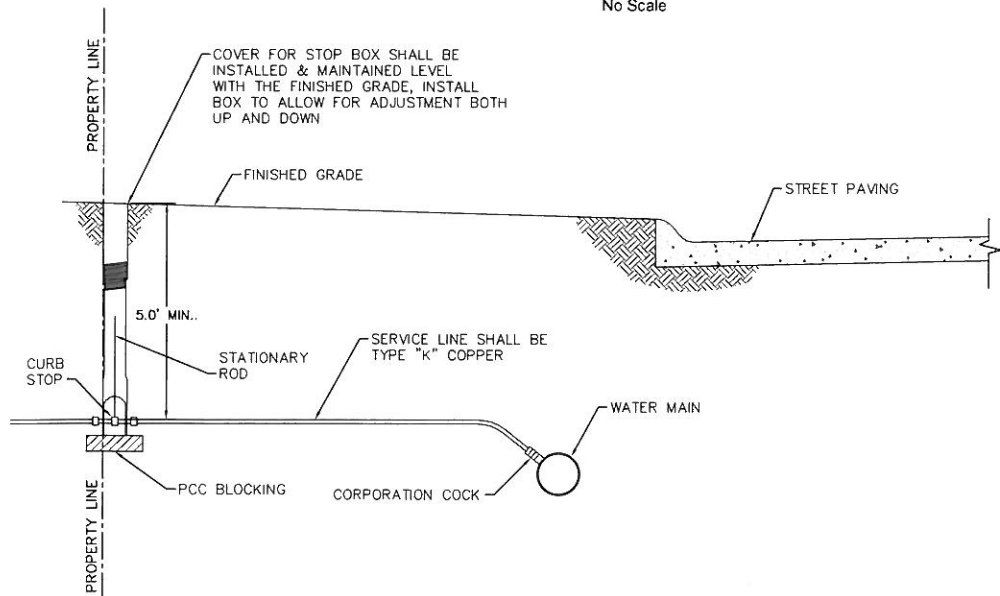
- NOTE:**
1. ALL HYDRANTS SHALL BE SET WITH PUMPER NOZZLES PERPENDICULAR TO STREET
 2. ALL HYDRANTS EXTENSIONS SHALL BE FROM THE SAME MANUFACTURER AS THE HYDRANT
 3. ALL THRUST BLOCKING SHALL BE AS PER THE BLOCKING DETAIL

DIMENSIONAL REQUIREMENTS				
SIZE	A	B	C	D
4 1/2"	2"	16"	21"	35"
4 1/2"	2"	16"	21"	35"
5 1/4"	2"	18"	23"	38"
6 1/4"	2"	19"	24"	40"



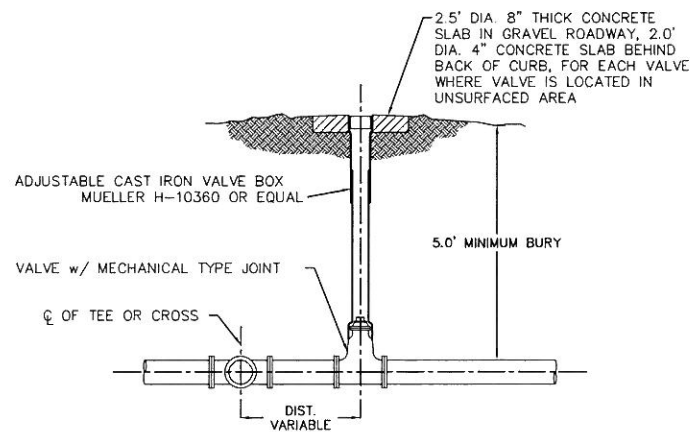
Fire Hydrant Detail

No Scale



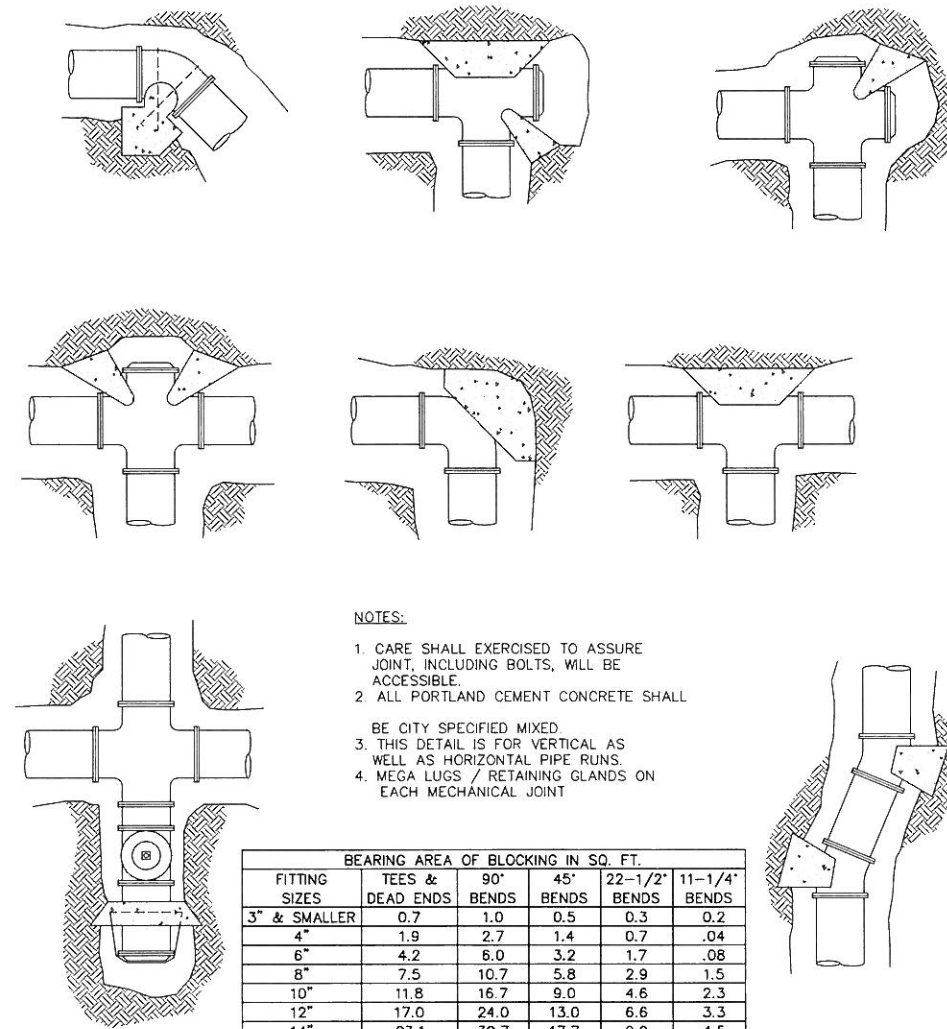
Standard Service Connection Detail

No Scale



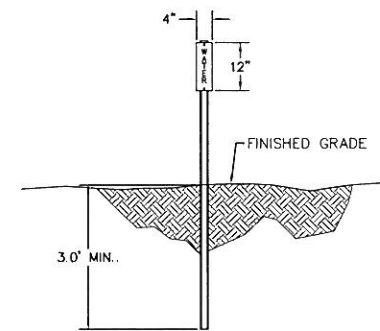
Valve & Box Detail

No Scale



Standard Blocking Details

No Scale



Water Service Location Sign

No Scale

CONTRACTOR TO FURNISH SIGN & 6' STEEL POST FOR IDENTIFICATION OF WATER SERVICES. INSTALL SIGN & POST OVER THE END OF THE WATER SERVICE AT THE PROPERTY LINE.

INSTALLATION IS SUBSIDIARY TO THE WATER SERVICE CONSTRUCTION.

STENCIL 2" BLACK LETTERS ON WHITE BACKGROUND.

SIGN TO BE MADE FROM EXTERIOR MASONITE OR SIMILAR MATERIAL.

WRAP No. 9 WIRE AROUND END OF WATER PIPE STUB & RUN TO SURFACE OF GROUND & TIE TO MARKER SIGN POST.

Revisions	By
5/30/2014	AEJ



Engineering Department
1919 15th Ave
P.O. Box 1180
Kearney, NE 68848-1180
Phone: 308-233-3246
Fax: 308-233-3223
www.cityofkearney.org

Water Details - Sheet 1 of 1
Kearney Standard Drawings

Date:	12/02/2015
Drawn By:	AEJ
Approved by:	BAG

Drawing Location:
H:\Standard Specs and Plates - BAG\Kearney specs\Standard Details\inlet details 2.dwg